



Residential Elevator Design Guide

Elmira, Heritage & Cambrian Models

First Class Elevator (314) 200-4389
16205 Westwoods Business Park Ellisville, MO 63021
www.firstclasselevator.com

Table of Contents

Introduction	3
Planning for a Cambridge Elevating Home Elevator	3
Provisions by Others	4
Description of Elevator Equipment	5
Hoistway Construction – General Notes	6
Hoistway Construction – Wood Stud Wall	7
Hoistway Elevation – Overhead Requirements	8
Pit Details	9
Machine Room Details – General Layout	10
Machine Room Details – Controller / Pump Details	11
Machine Room-Less Details - General Layout	12
Manual Heritage Entrance	13
Cambrian Landing Frame Details - Elevation	14
Cambrian Landing Frame Details - Layout	15
Drawings - Elmira Model Cab/Hoistway Size Layout	16-18
Drawings - Heritage Model Cab/Hoistway Size Layout	19
Drawings - Cambrian Model Cab/Hoistway Size Layout	20
Elevator Specifications for ASME A17.1 Part V Compliance	21-23

Introduction

This design guide assists architects, builders, contractors, home owners and elevator professionals in planning for a home elevator installation that meets the requirements of ASME A17.1 Part V/CSA B44-13.

Please note this guide provides nominal dimensions and specifications and is useful for initial planning. Before starting construction please consult the specific application drawings provided by Cambridge Elevating that indicate exact dimensions for your project.

Please note that due to product enhancements and continually evolving codes, the information in this guide is subject to change without notice.

Planning for a Cambridge Elevating Home Elevator

The following planning procedure is strongly recommended:

1. Determine the customer's intended use.
2. Determine the customer's desired convenience level with respect to model type:
 - Elmira – swing landing door with manual (or automatic) accordion cab gate
 - Heritage – swing landing door with automatic sliding cab door panels
 - Cambrian – automatic sliding door panels on cab and each landing
3. Determine local, state and national code requirements of site.
4. Use pages 6 through 9 for hoistway construction, pit depth and overhead clearance requirements.
5. Use pages 10 and 11 to plan for a machine room and electrical requirements.
6. Use page 12 through 15 to determine car and hoistway size requirements.
7. Use page 15 and 16 to plan for the Cambrian model's sliding landing frames.

Provisions By Others

- Provide one permanent 220/1/60 (30 amps) & one 110/1/60 (15 amps) power source to the designated machine room location. Both electrical disconnects are provided by the elevator manufacturer.
- Provide appropriate sleeves for both the electrical conduit and hydraulic line from the drive unit to the hoistway. Trenching may be required if the machine room is not adjacent to hoistway.
- Provide an enclosed, plumb and square hoistway with smooth interior surfaces, as per elevator manufacturer's engineered drawings. Include for fascias or furring of hoistway interior. To be inspected and confirmed by elevator contractor prior to elevator installation.
- Provide required overhead clearance based on engineered drawings.
- Provide floor finishes inside elevator cab.
- Suitable lintels over landing entrances are to be provided for Cambrian model only – per Cambrian Landing Frame Details, see page 12.
- Provide required rough openings at each hoistway landing as per elevator manufacturer's engineered drawings.
- Provide sufficient machine-room area suitable to contain hydraulic power unit and elevator controller & disconnect based on elevator manufacturer's engineered drawings.
- Provide telephone connection to outside line for integration into elevator controller.
- Provide required pit depth and size as per elevator manufacturer's engineered drawings.
- Provide substantial level pit floor slab to support loads indicated on elevator manufacturer's engineered drawings.
- Provide required structural support for guide rail fastenings as per elevator manufacturer's engineered drawings.
- Install rail bracket inserts (Supplied by CE) into concrete rail support wall during construction per elevator manufacturer's engineered drawings, only if required.
- Provide required building permit(s) and/or engineering services as per local authorities.
- Provide pit water proofing or sump pump, only if required.
- Provide all finishes around landing door frames and landing entrances.

Description of Elevator Equipment

General

- Rated load: Up to 1,500 lbs. where permitted by local codes
- Nominal speed: 40 feet per minute
- *Elmira* minimum pit depth: 8"
- *Elmira* minimum overhead clearance: 96"
- *Heritage/Cambrian* minimum pit depth: 12"
- *Heritage/Cambrian* minimum overhead: 108"
- Maximum travel: 50 feet
- Maximum number of stops: 6

Mechanical Equipment

- 220 VAC, 60 Hz, 30 Amp single phase power
- Dual 8 lb. modular T-rail system
- Two 3/8" diameter, 17 x 9 wire ropes
- Sling assembly
- Forged rope sockets
- 2:1 roped hydraulic single stage cylinder
- Submersed electric motor with 2-speed adjustable valve system

Cab and Appointments

- Car size: Up to 20 sq. ft. standard
- Cab height: 84" standard, 96" & custom optional
- Recessed LED cab lights – 2 or 4 lights depending on cab size
- Interior cab walls and ceiling finish, choice of:
Melamine: cherry, oak, maple, walnut, white, black
Veneer (unfinished) – birch, cherry, maple, oak, walnut
(MDF) Medium density fibreboard – paint grade
- Rough plywood cab floor with 3/4" recess

Gates and Doors

- ***Elmira***
Swing door for each landing
Horizontally collapsible accordion style car gate(s)
- ***Heritage***
Swing door for each landing
Automatic sliding cab door panels (beige or s/s)
- ***Cambrian***
Automatic sliding cab door panels (beige or s/s)
Automatic sliding landing door panels (beige or s/s)

Controls

- Microprocessor controller with relays for basic operation
- Fully automatic operation
- Automatic timed cab lighting
- Stainless steel car operating panel (COP), telephone box and hall call stations
- Dual illuminated hall call station push buttons and position indicating push buttons on COP
- Emergency stop switch on COP
- LED/dot matrix Digital Position Indicator (DPI) in car

Safety Devices

- Stainless steel handrail inside cab
- 220 VAC lockable disconnect for power unit
- Final limit switch
- Slack rope safety switch
- Pit stop switch
- Car top stop switch
- Line rupture valve
- Low pressure switch
- Automatic leveling (anti-creep)
- Emergency battery lowering
- Electro-mechanical door interlocks
- Manual lowering device
- Telephone in cab

Options

- Custom cab sizes/heights. Oversized cabs where permitted (variance may be required)
- Unfinished oak, maple or cherry solid hardwood / face frame hardwood cab walls and ceiling
- Stainless steel patterned cab walls and ceiling
- Custom finish elevator fixtures (COP, telephone box and hall call stations) in choice of plating finishes: Brushed brass, oil rubbed bronze, polished stainless, brushed nickel, consult factory for additional choices.
- Two piece hydraulic jack
- Additional handrails in cab
- Handrail COP (all models)
- LED/dot matrix Digital Position Indicator (DPI) hall call stations on landings
- Veneer and decorative metal wrapped sliding door panels (*Heritage/Cambrian*)

Hoistway Construction – General Notes

- A load-bearing wall is required to sustain rail reactions; please see *Rail Wall Construction – Wood Stud Wall (next page)* for detail.
- Hoistway must be in accordance with ASME A17.1/CSA B44-13, **AND** all local codes and regulations.
- Pit floor construction must withstand a 5,500 lb. load.
- Due to limited clearances, it is necessary that hoistway walls be square and plumb. Maximum permissible deviation from hoistway top to bottom is 1/8".
- Building structure must sustain a chain hoist for hoisting elevator materials to the top of the hoistway during installation.
- A structural engineer must ensure that building and hoistway can safely support all loads imposed by the elevator equipment.
- The drawings contained herein have been prepared using engineering principles and the design loads that are applied by the rails to the wall. However the details and member sizes and the attachments to the structure should not be construed as a complete wall system. The contractor and/or the project engineer are responsible to evaluate the other loads that are applied to the wall from the floor or roof system and modify sizes or connections as required by their analysis.

RAIL WALL SHEATHING
3/4" PLYWOOD
 SCREWED TO STUDS **EVERY 12"**
WITH #10-2-1/2" SCREWS MINIMUM

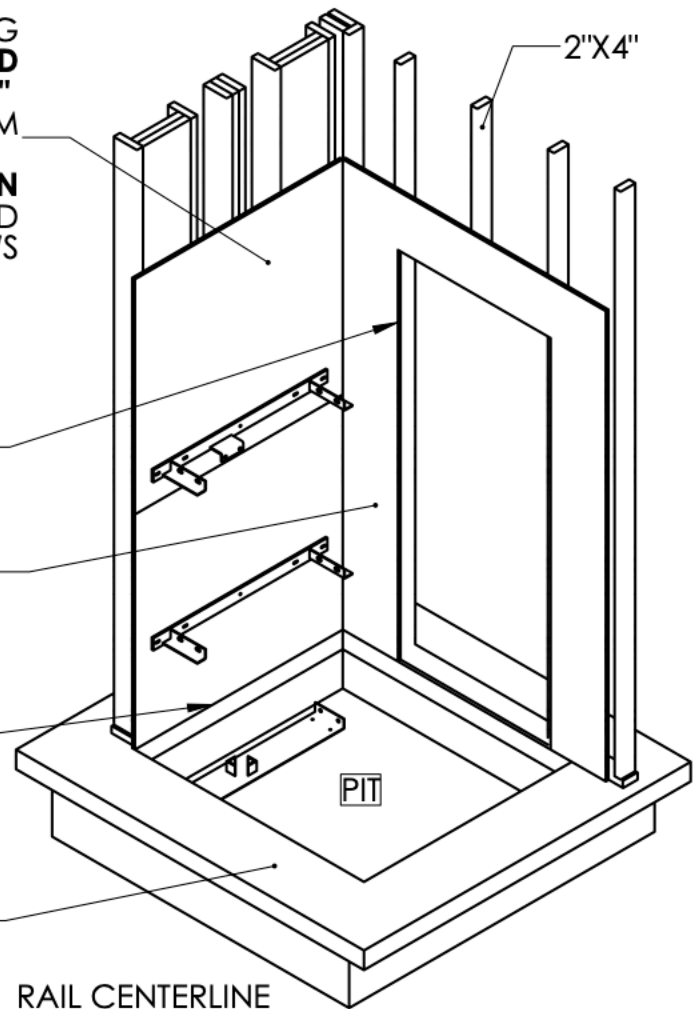
FOR BEST RESULTS **USE A CONSTRUCTION ADHESIVE** IN ADDITION TO REQUIRED WOOD SCREWS

WALLS WITH **DOOR OPENINGS** MUST HAVE **2"X4" CONSTRUCTION**

ALL OTHER WALLS AS PER LOCAL BUILDING CODE

SURFACE OF PLYWOOD **FLUSH WITH WALL OF PIT**

BOTTOM FLOOR SLAB



RAIL CENTERLINE AS PER PROJECT SHOP DRAWINGS

MIDDLE STUDS THREE 2" x 6"

16 1/4" 16 1/4"

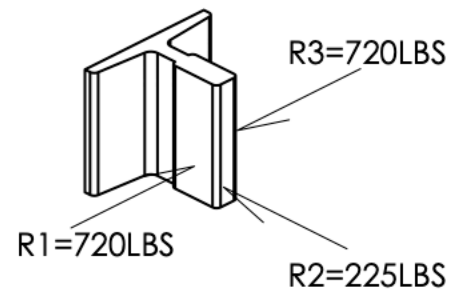
- CHANNEL CONSTRUCTION TYPICAL **TWO PLACES**
- TWO 2" x 12" INSIDE TWO 2" x 6"
- 2x6s **SCREWED TO 2x12s EVERY 6"** WITH #10x3-1/2" WOOD SCREWS
- CHANNELS AND MIDDLE STUDS BETWEEN FLOORS **FULL HEIGHT OF HOISTWAY**

RAIL WALL CHANNEL ASSEMBLY

TOP VIEW

DOOR WALL

3/4" PLYWOOD



CAMBRIDGE ELEVATING IS NOT RESPONSIBLE FOR THE STRUCTURAL DESIGN OF THE BUILDING AND ITS ABILITY TO SUPPORT THE ELEVATOR LOADS AND/OR REACTIONS

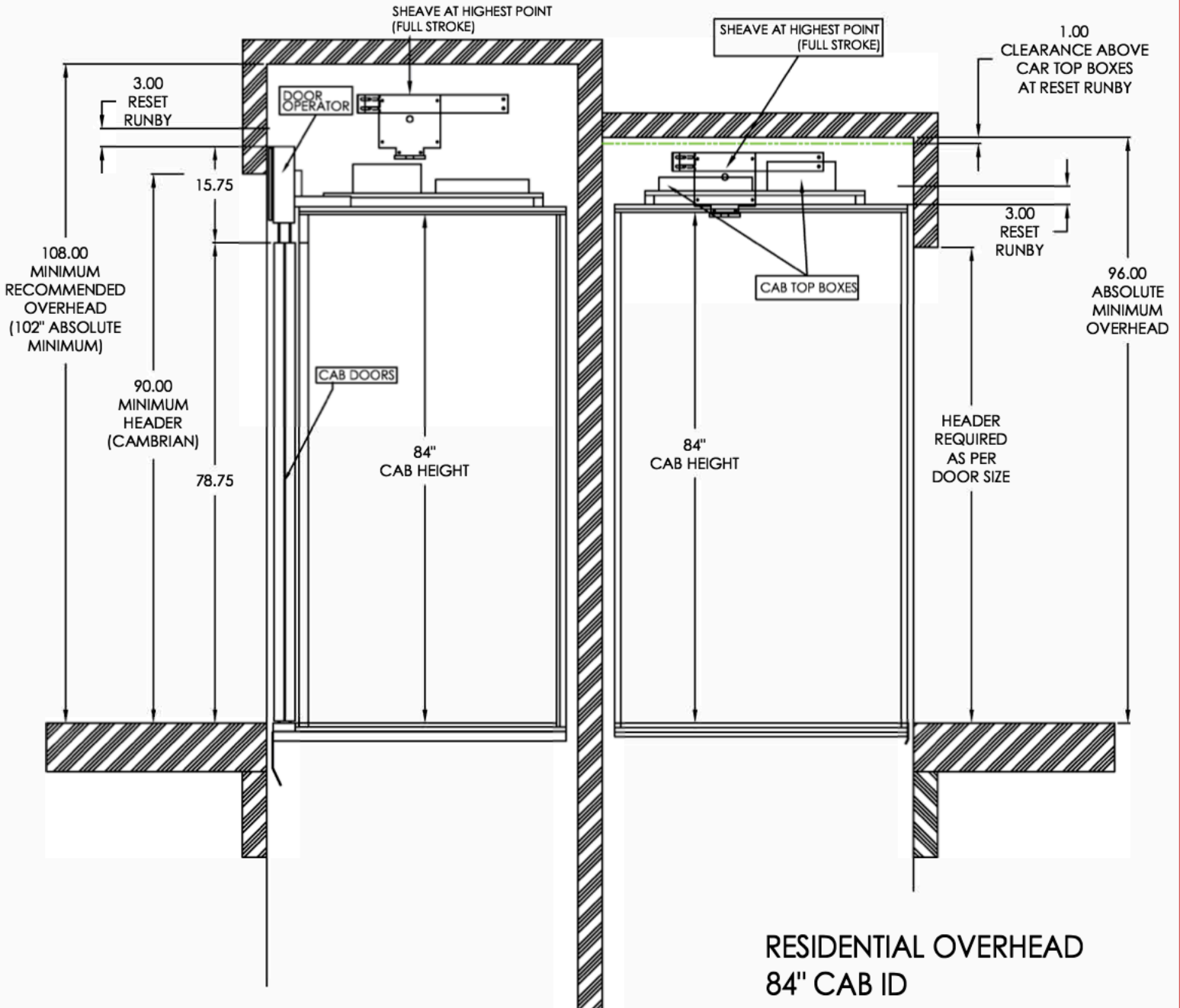
THIS DRAWING AND THE INFORMATION IT CONTAINS ARE PROPRIETARY TO CAMBRIDGE ELEVATING INC. THIS DOCUMENT MUST NOT BE DUPLICATED, OR ITS CONTENTS USED OR DISCLOSED (IN WHOLE OR IN PART) WITHOUT THE WRITTEN PERMISSION FROM CAMBRIDGE ELEVATING INC.

CAMBRIDGE
 ELEVATING INC.

181 SHEARSON CRES
 CAMBRIDGE, ONTARIO
 WWW.CAMBRIDGEELEVATING.COM

HERITAGE/CAMBRIAN
STANDARD HEIGHT DOORS
78.75" [2000mm] HIGH

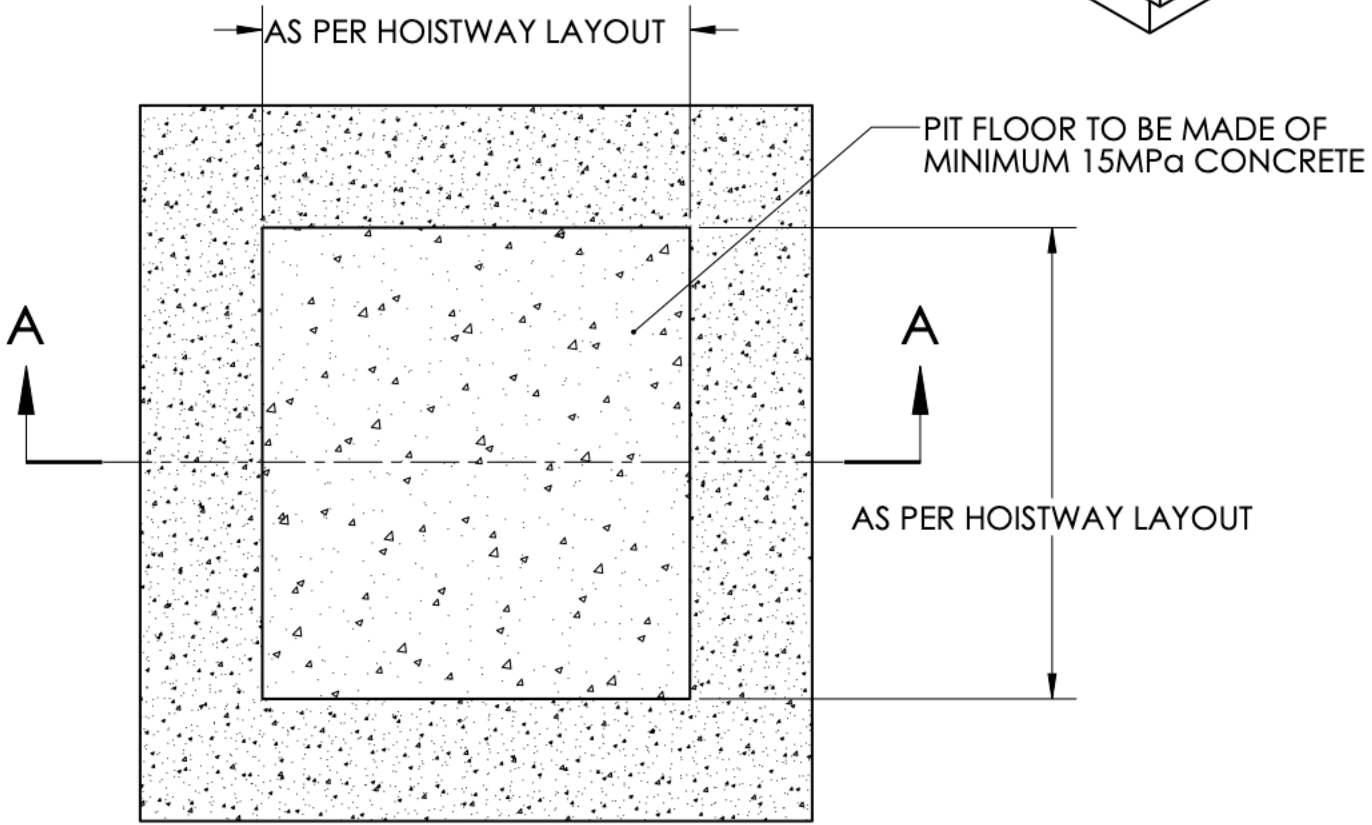
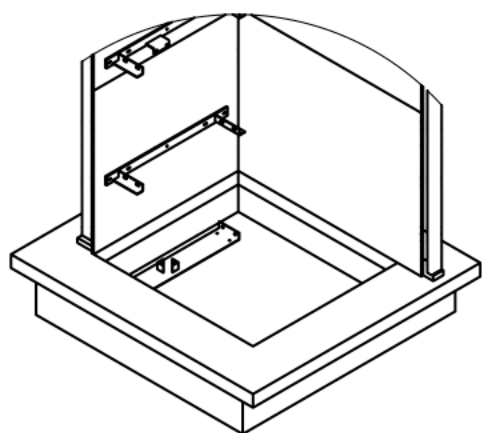
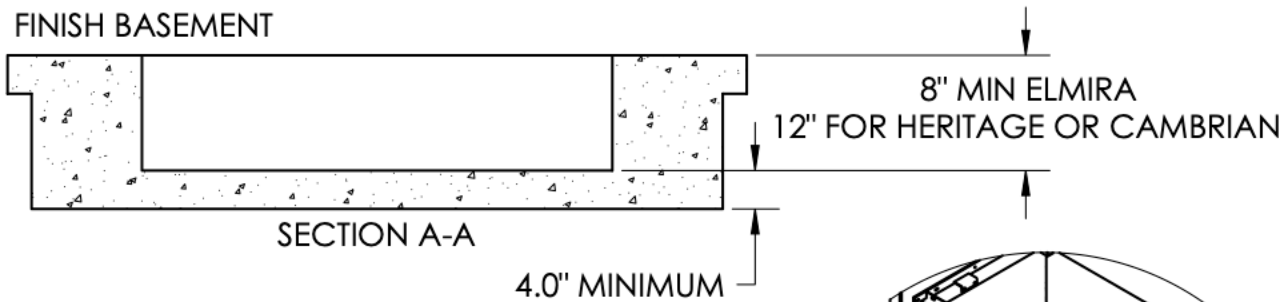
ELMIRA



CAMBRIDGE
ELEVATING INC.

THIS DRAWING AND THE INFORMATION IT CONTAINS ARE PROPRIETARY TO CAMBRIDGE ELEVATING INC. THIS DOCUMENT MUST NOT BE DUPLICATED, OR ITS CONTENTS USED OR DISCLOSED (IN WHOLE OR IN PART) WITHOUT THE WRITTEN PERMISSION FROM CAMBRIDGE ELEVATING INC.

181 SHEARSON CRES
CAMBRIDGE, ONTARIO
WWW.CAMBRIDGEELEVATING.COM



PIT FLOOR TO BE DESIGNED FOR AN IMPACT LOAD OF 9600LBS
AND A STATIC LOAD OF 5500LBS UNDER CYLINDER

REINFORCING AND STRENGTH AS PER LOCAL
STANDARDS AND CODES

RESIDENTIAL PIT DETAILS

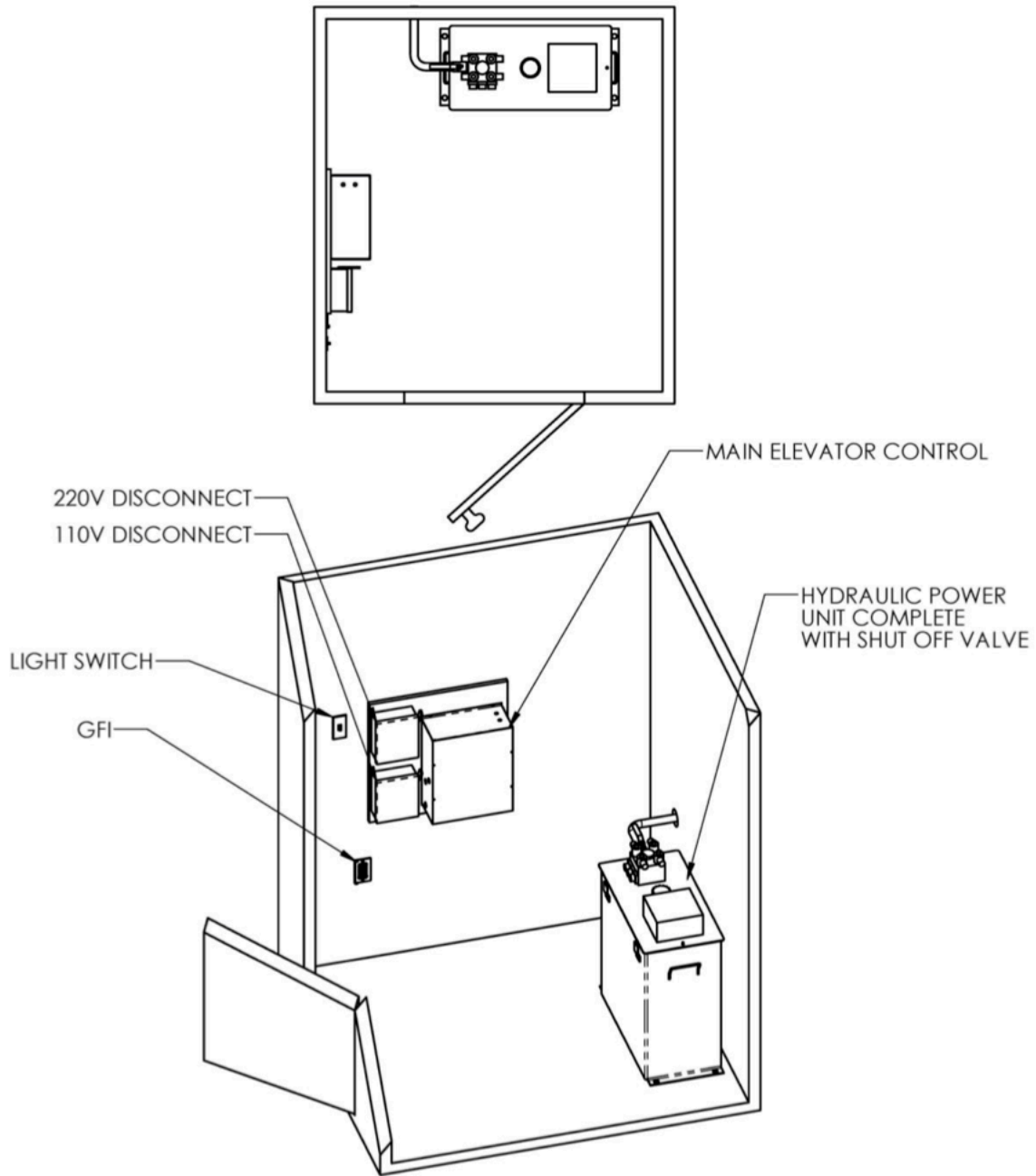


181 SHEARSON CRES
CAMBRIDGE, ONTARIO
WWW.CAMBRIDGEELEVATING.COM

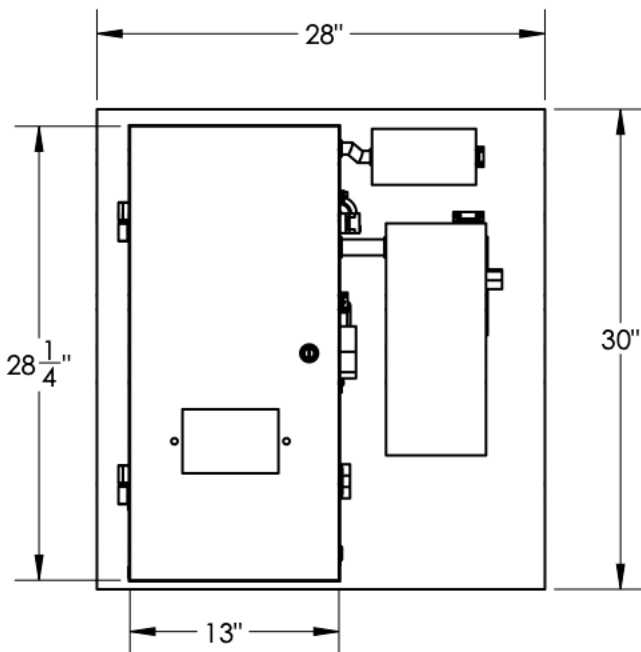
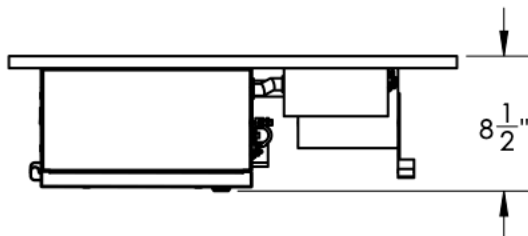
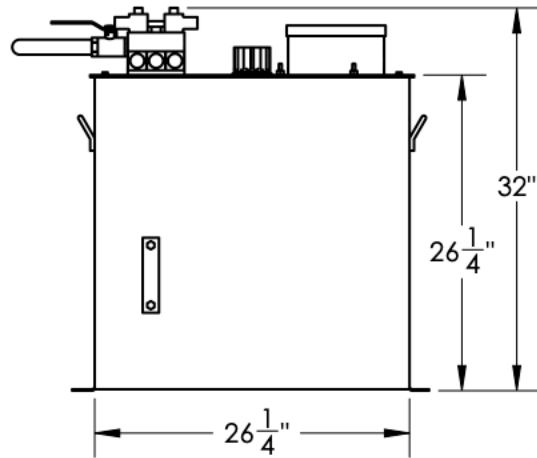
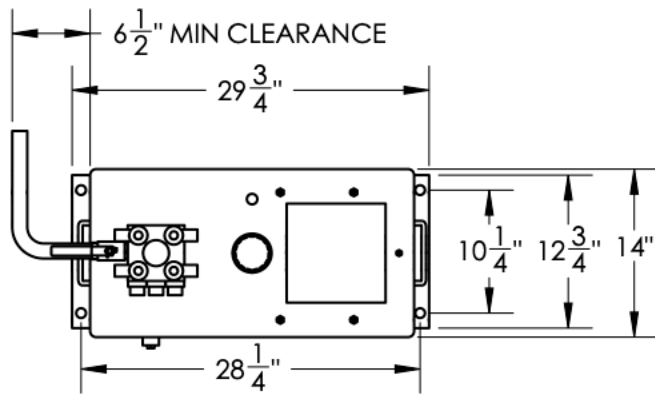
THIS DRAWING AND THE INFORMATION IT CONTAINS ARE PROPRIETARY TO
CAMBRIDGE ELEVATING INC. THIS DOCUMENT MUST NOT BE DUPLICATED,
OR ITS CONTENTS USED OR DISCLOSED (IN WHOLE OR IN PART) WITHOUT
THE WRITTEN PERMISSION FROM CAMBRIDGE ELEVATING INC.

Machine Room Details – General Layout

- Machine room must be in accordance with all codes and regulations.
- A 220 VAC, 60 Hz, 30 Amp single phase power source in the machine room to be provided.
- A 115 VAC, 60 Hz, 15 Amp single phase power source in the machine room to be provided.
- A telephone line circuit to be provided if required. This circuit must be connected to an outside line.



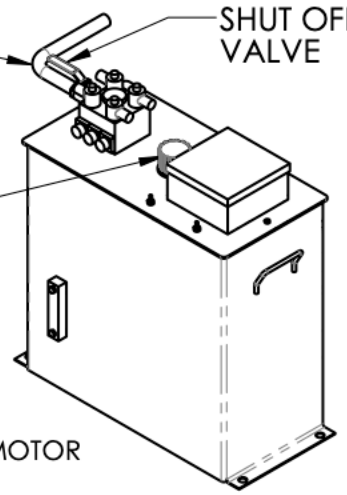
TYPICAL RESIDENTIAL MACHINE ROOM
MAY NOT BE REQUIRED



HYDRAULIC LINE TO CYLINDER

SHUT OFF VALVE

FILLER BREATHER FOR OIL



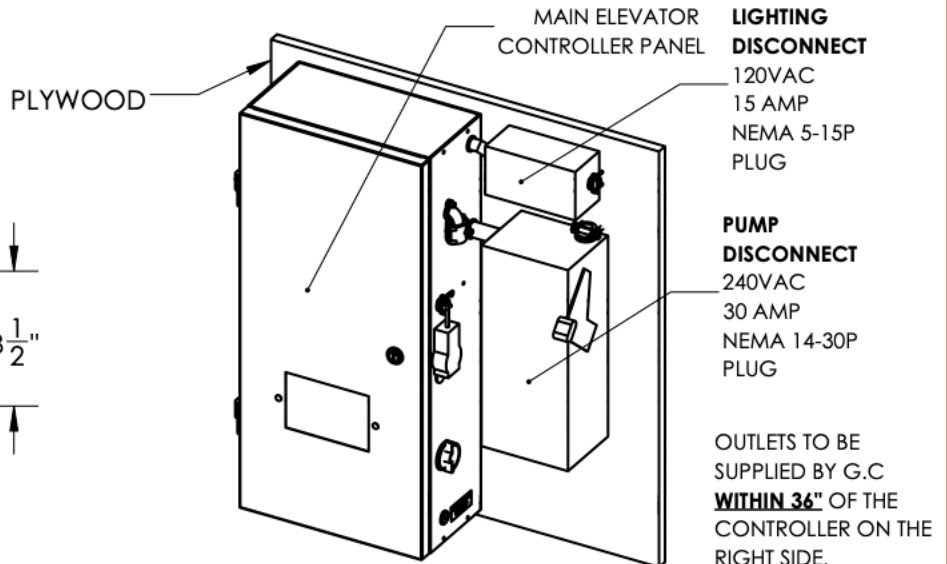
TO BE LOCATED WITHIN 20ft OF ELEVATOR HOISTWAY
FOR LONGER DISTANCES CONSULT CAMBRIDGE ELEVATING

3.0 or 5.0 H.P. 220V/1/60Hz DRIVE MOTOR
 ACCESS REQUIRED TO TOP OF UNIT FOR OIL FILLING AND PIPING

DISCONNECTS SUPPLIED BY C.E.I. ON MAIN ELEVATOR CONTROL PANEL

HYDRAULIC OIL: **32 WEIGHT PREMIUM**
 CAPACITY: 75L / 20 US Ga

HYDRAULIC POWER UNIT



MAIN ELEVATOR CONTROLLER PANEL

LIGHTING DISCONNECT
 120VAC
 15 AMP
 NEMA 5-15P PLUG

PUMP DISCONNECT
 240VAC
 30 AMP
 NEMA 14-30P PLUG

OUTLETS TO BE SUPPLIED BY G.C **WITHIN 36"** OF THE CONTROLLER ON THE RIGHT SIDE.
 REQUIRES:
 * **NEMA 5-15** OUTLET AT 60" HIGH
 * **NEMA 14-30** OUTLET AT 48" HIGH

WIRE GAUGE AS PER LOCAL CODE REQUIREMENTS

USUALLY MOUNTED IN MECHANICAL ROOM ON WALL **WITHIN 6' OF HYDRAULIC POWER UNIT** OR TO STRUTS MOUNTED ON REAR OF PUMP TANK

BES3 RESIDENTIAL PUMP CONTROLLER DETAILS

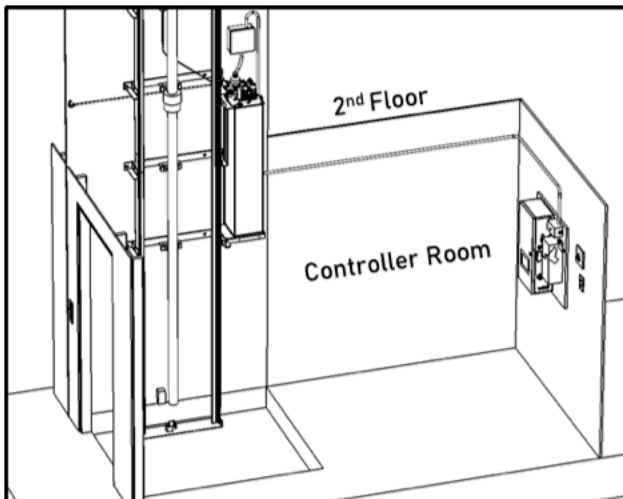
CAMBRIDGE ELEVATING INC.

181 SHEARSON CRES
 CAMBRIDGE, ONTARIO
 WWW.CAMBRIDGEELEVATING.COM

THIS DRAWING AND THE INFORMATION IT CONTAINS ARE PROPRIETARY TO CAMBRIDGE ELEVATING INC. THIS DOCUMENT MUST NOT BE DUPLICATED, OR ITS CONTENTS USED OR DISCLOSED (IN WHOLE OR IN PART) WITHOUT THE WRITTEN PERMISSION FROM CAMBRIDGE ELEVATING INC.

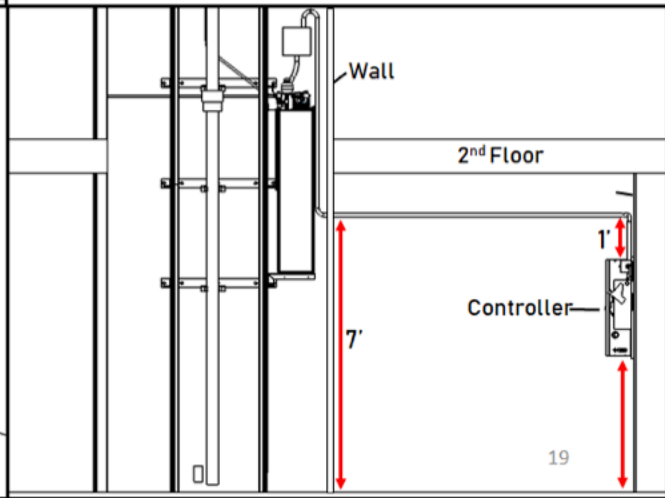
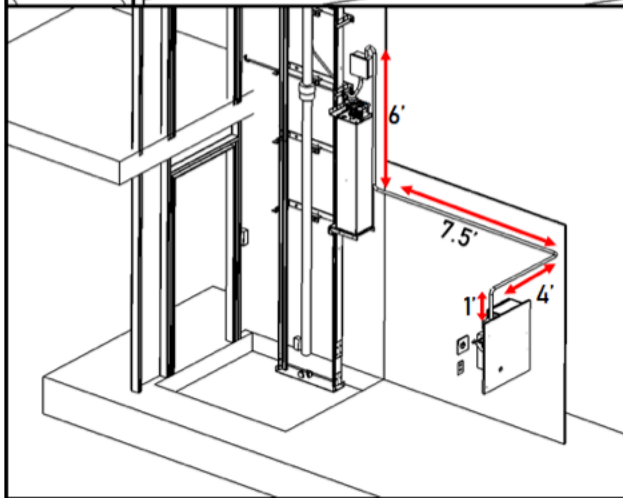
Machine Room-Less (MRL) General Layout

- Machine room must be in accordance with all codes and regulations.
- A 220 VAC, 60 Hz, 30 Amp single phase power source in the machine room to be provided.
- A 115 VAC, 60 Hz, 15 Amp single phase power source in the machine room to be provided.
- A telephone line circuit to be provided if required. This circuit must be connected to an outside line.



Sample Controller Position Measurement Guide

- Limit of 55' of wire between pump and controller
- Measurements below are for illustration only, controller location will differ for each job
- Controller elevation (floor) and wall distance to hoistway is required before job can be approved

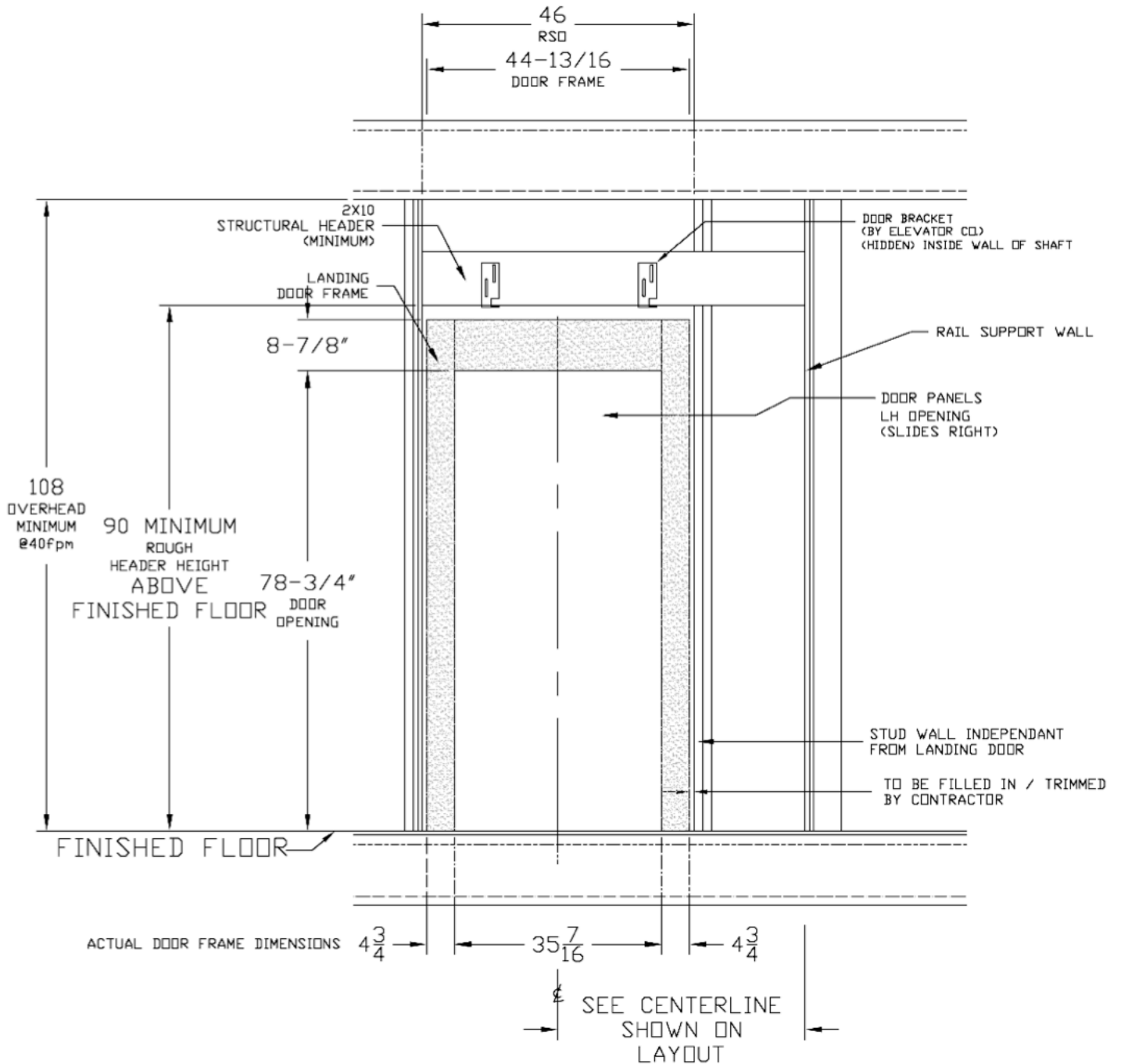


Manual Heritage Entrance

- Smooth sliding door experience at an accordion door price point
- Soft close with no slamming of doors
- Less overhead needed than automatic Heritage
- 2 Speed & 3 Speed entrances available
- Meets 3/4" X 4" spacing requirements
- No rattling of accordion door panels

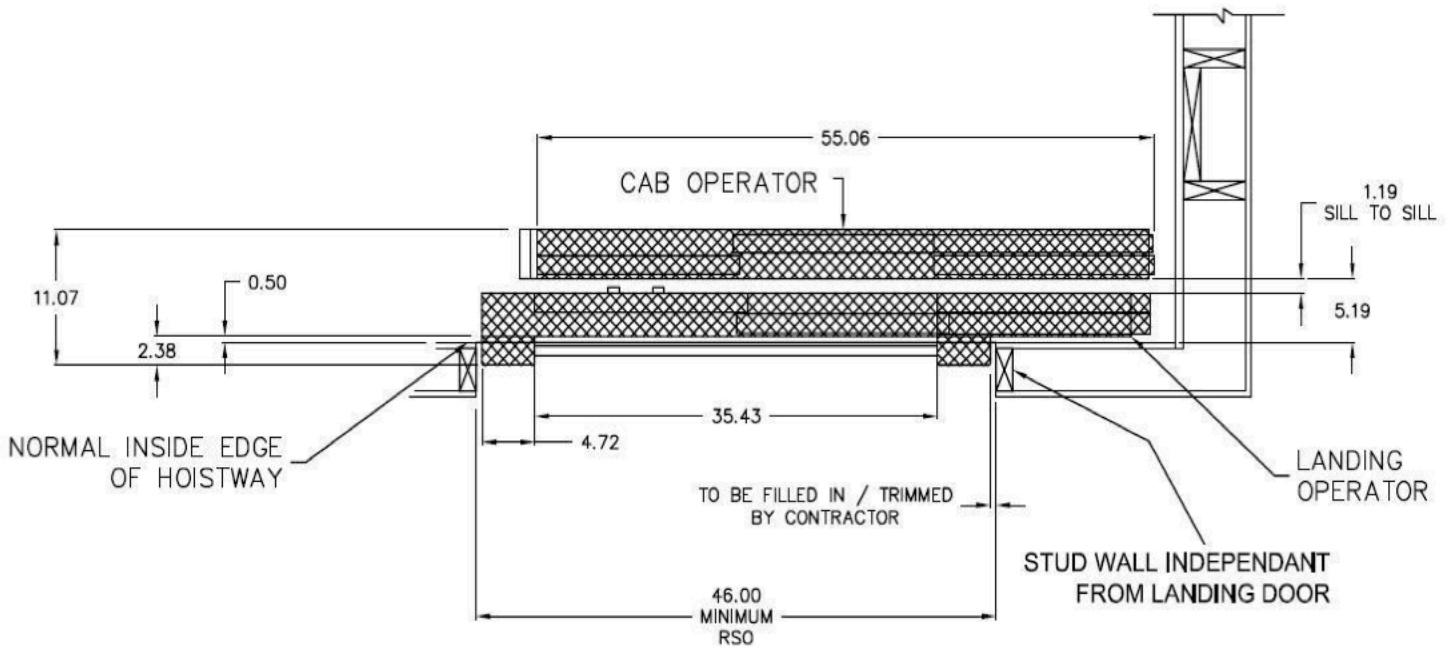
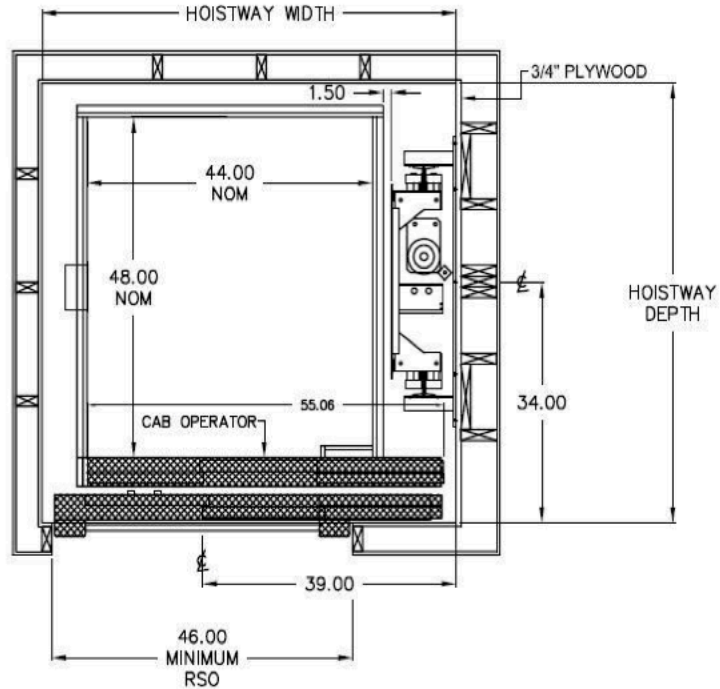
Cambrian Landing Frame Details – Elevation

- It is the recommendation of Cambridge Elevating to leave door walls wide open for installation.
- Landing door jambs and header fit within rough stud opening. Landing door operating mechanism, door frames and sill hang in hoistway attached to inside wall of hoistway using brackets.
- Drawing below depicts view from landing looking into elevator hoistway (rails support on right wall).

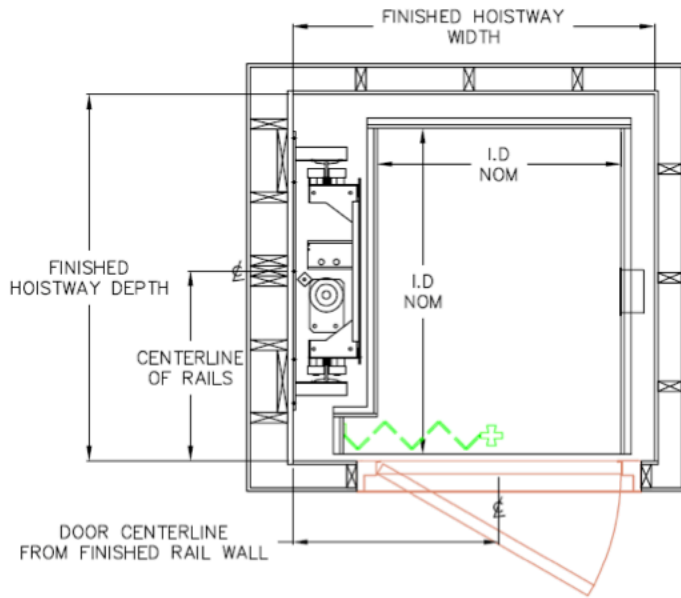


Cambrian Landing Frame Details – Layout

- It is the recommendation of Cambridge Elevating to leave door walls wide open for installation.



Elmira Model Cab / Hoistway Size Layout



TYPE 1 – INLINE

Machine Room Required

Cab Size	Hoistway Size Width x Depth	Centerlines	
		Landing Door	Rail Wall
36" x 48"	54" x 54.25"	31"	26.75"
36" x 54"	54" x 60.25"	31"	28.25"
36" x 60"	54" x 66.25"	31"	31.25"
40" x 48"	58" x 54.25"	35"	26.75"
40" x 54"	58" x 60.25"	35"	28.25"

Please note dimensions remain for mirrored configurations.

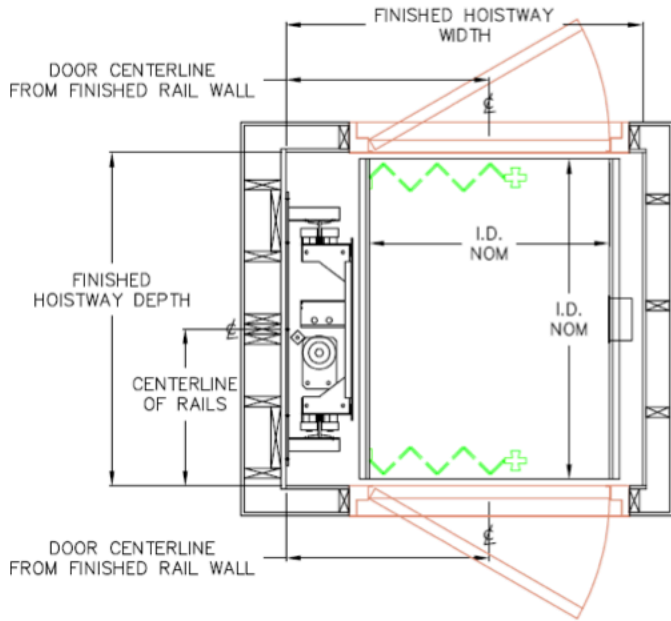
3HP MRL Standard Sling

Cab Size	Hoistway Size Width x Depth	Centerlines	
		Landing Door	Rail Wall
30.5" x 54"	50" x 59.75"	29"	28"
36" x 54"	55.5" x 59.75"	32.5"	28"
38.5" x 54"	58" x 59.75"	35"	28"
40" x 54"	59.5" x 59.75"	36.5"	28"
36" x 60"	55.5" x 65.75"	32.5"	28"
38.5" x 54.5"	58" x 60.25"	35"	28.25"

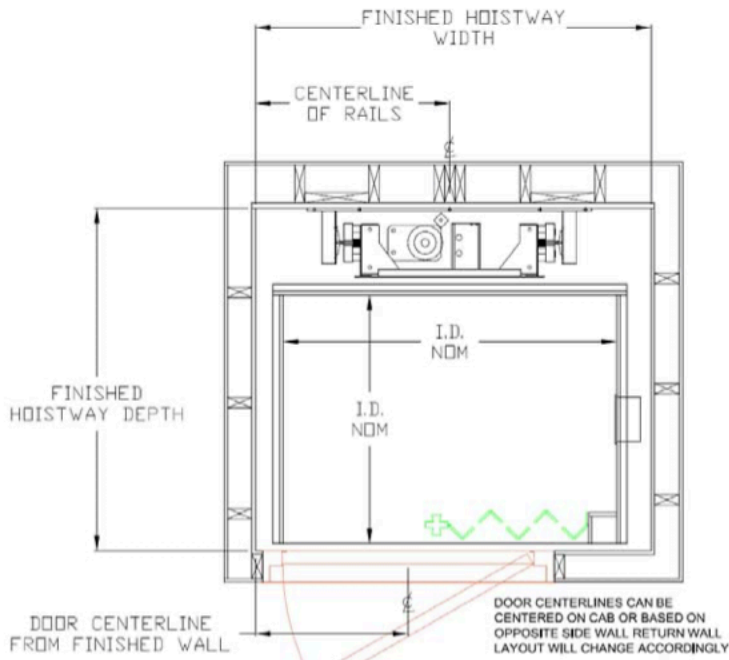
3HP MRL Mini Sling

Cab Size	Hoistway Size Width x Depth	Centerlines	
		Landing Door	Rail Wall
30.5" x 50"	50" x 55.75"	29"	26"
34.5" x 50"	54" x 55.75"	31"	26"
36" x 54"	55.5" x 59.75"	32.5"	28"
38.5" x 50"	58" x 55.75"	35"	26"
40" x 54"	59.5" x 59.75"	36.5"	28"
36" x 60"	55.5" x 65.75"	32.5"	31"
38.5" x 54.5"	58" x 60.25"	35"	28.25"

Elmira Model Cab / Hoistway Size Layout



TYPE 2 - THROUGH



TYPE 5 - INLINE

Machine Room Required

Cab Size	Hoistway Size Width x Depth	Centerlines	
		Landing Door	Rail Wall
36" x 48"	54" x 50.5"	31"	24.25"
36" x 54"	54" x 56.5"	31"	27.25"
36" x 60"	54" x 62.5"	31"	31.25"
40" x 48"	58" x 50.5"	35"	24.25"
40" x 54"	58" x 56.5"	35"	27.25"

3HP MRL Mini Sling

Cab Size	Hoistway Size Width x Depth	Centerlines	
		Landing Door	Rail Wall
42.5" x 50"	62" x 50"	39"	22.75"

3HP MRL Standard Sling

Cab Size	Hoistway Size Width x Depth	Centerlines	
		Landing Door	Rail Wall
42.5" x 54"	62" x 56.5"	39"	24.75"

Machine Room Required

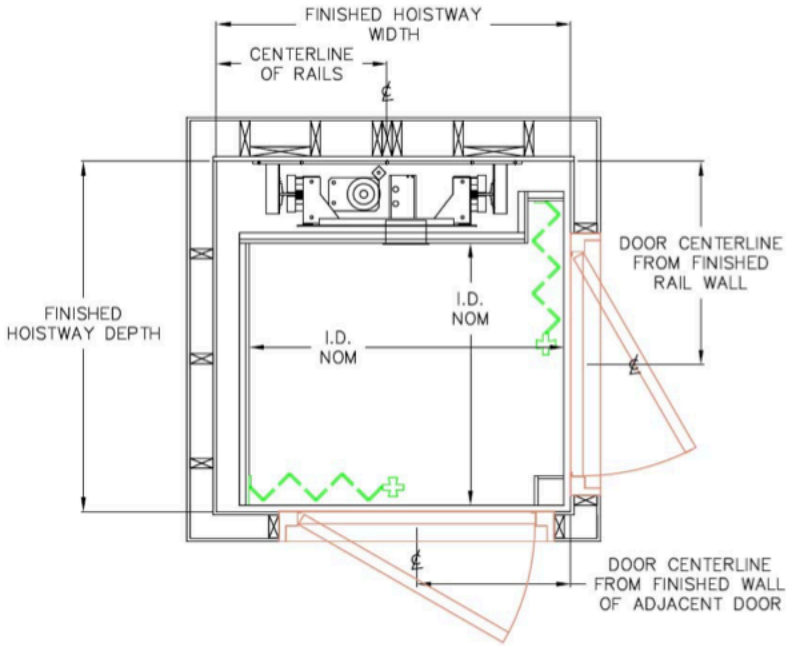
Cab Size	Hoistway Size Width x Depth	Centerlines	
		Landing Door	Rail Wall
44" x 42"	54" x 56.25"	31"	27"
48" x 42"	58" x 56.25"	35"	29"
54" x 48"	64" x 62.25"	41"	32"
60" x 48"	70" x 62.25"	47"	35"

Please note dimensions remain for mirrored configurations.

3HP MRL Standard Sling

Cab Size	Hoistway Size Width x Depth	Centerlines	
		Landing Door	Rail Wall
48" x 41"	58" x 55.75"	29"	26"
54" x 47"	64" x 62.25"	41"	29"
60" x 47"	70" x 62.25"	47"	32"

Elmira Model Cab / Hoistway Size Layout



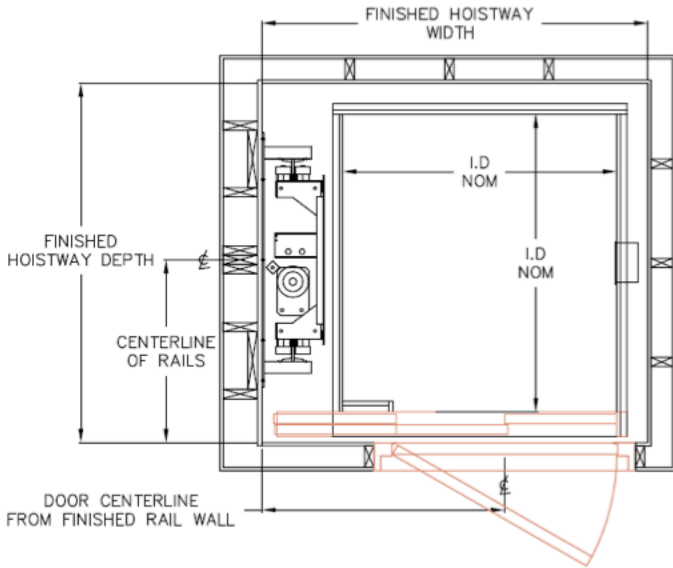
TYPE 3 or 4 (90-DEGREE) LH or RH

Machine Room Required

Cab Size	Hoistway Size Width x Depth	Centerlines	
		Landing Door	Rail Wall
36" x 48"	51.75" x 54.25"	28.5"	25.25"
40" x 60"	55.75" x 66.25"	33"	31.25"
48" x 48"	63.75" x 54.25"	40.5"	25.25"
48" x 60"	63.75" x 66.25"	40.5"	31.25"

Please note dimensions remain for mirrored configurations.

Heritage Model Cab / Hoistway Size Layout



TYPE 1 - INLINE

- 5HP MRL Mini Sling - 32" Door
- 5HP MRL Standard Sling - 32" Door
- 5HP MRL Mini Sling - 36" Door
- 5HP MRL Standard Sling - 36" Door

Machine Room Required

Cab Size	Hoistway Size Width x Depth	Centerlines	
		Landing Door	Rail Wall
44" x 48" (2 panel doors)	62" x 57.75"	38.75"	27.75"
36" x 48" (3 panel doors)	54" x 56.875"	32.75"	28.0625"
36" x 60" (3 panel doors)	54" x 70.5"	32.75"	34.0625"
40" x 54" (3 panel doors)	58" x 62.5"	34.75"	31.0625"

Please note dimensions remain for mirrored configurations.

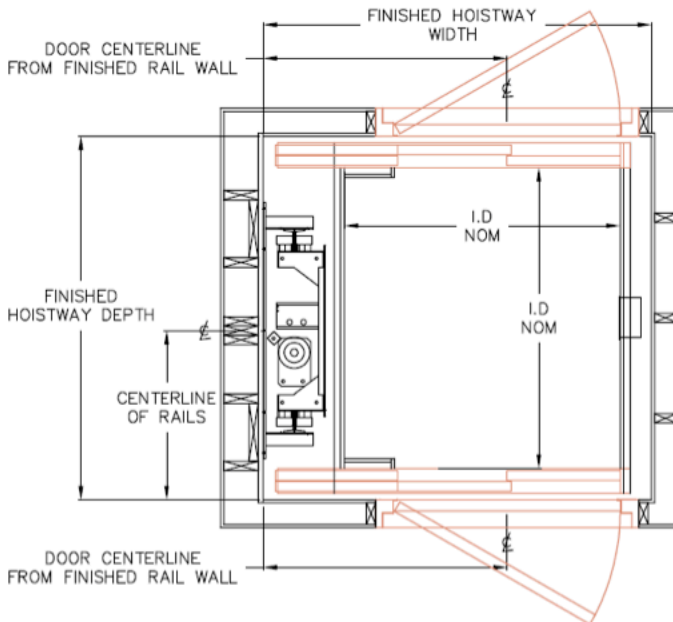
SHP MRL - Left Inline

Cab Size	Hoistway Size Width x Depth	Centerlines	
		Landing Door	Rail Wall
32.5" x 48"	52" x 58.375"	30.75"	25.625"
32.5" x 54"	52" x 64.375"	30.75"	29.75"
36.5" x 48"	56" x 58.375"	32.75"	25.625"
36.5" x 54"	56" x 64.375"	32.75"	29.75"

Machine Room Required

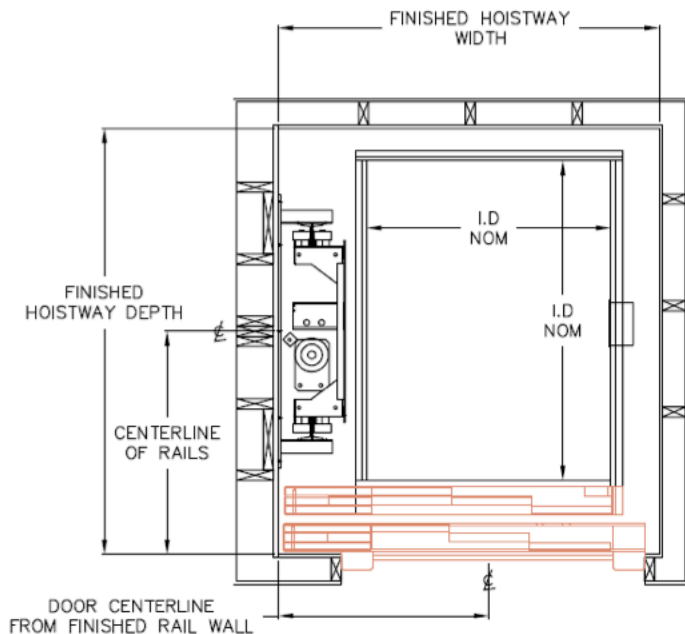
Cab Size	Hoistway Size Width x Depth	Centerlines	
		Landing Door	Rail Wall
44" x 48" (2 panel doors)	62" x 58.5"	38.75"	29.25"
36" x 48" (3 panel doors)	54" x 59.75"	32.75"	29.875"
36" x 60" (3 panel doors)	54" x 71.75"	32.75"	35.875"
40" x 54" (3 panel doors)	58" x 65.75"	34.75"	32.875"

Please note dimensions remain for mirrored configurations.



TYPE 2 - THROUGH

Cambrian Model Cab / Hoistway Size Layout



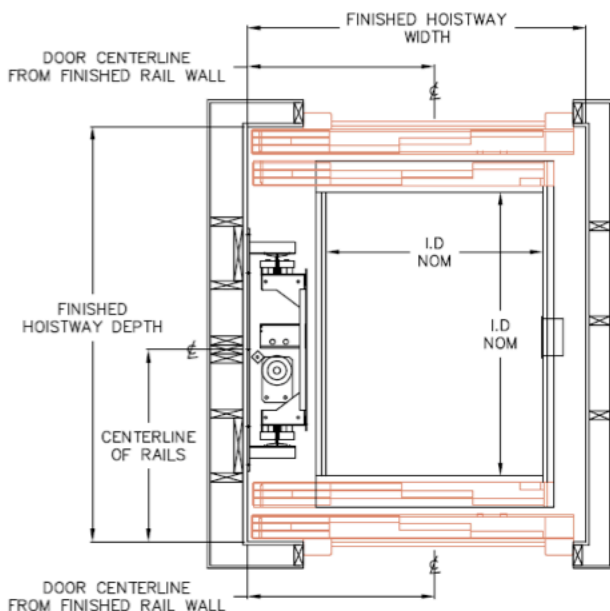
TYPE 1 - INLINE

5HP MRL Mini Sling - 32" Door

5HP MRL Standard Sling - 32" Door

5HP MRL Mini Sling - 36" Door

5HP MRL Standard Sling - 36" Door



TYPE 2 - THROUGH

Machine Room Required

Cab Size	Hoistway Size Width x Depth	Centerlines	
		Landing Door	Rail Wall
44" x 48" (2 panel doors)	62" x 61.75"	38.75"	31.75"
36" x 48" (3 panel doors)	54" x 63.25"	32.75"	33"
36" x 60" (3 panel doors)	54" x 75.25"	32.75"	39"
40" x 54" (3 panel doors)	58" x 69.25"	34.75"	36"

Please note dimensions remain for mirrored configurations.

5HP MRL - Left Inline

Cab Size	Hoistway Size Width x Depth	Centerlines	
		Landing Door	Rail Wall
32.5" x 48"	52" x 63.25"	30.75"	30.75"
34.5" x 48"	54" x 63.25"	32.75"	30.75"
32.5" x 54"	52" x 69.25"	30.75"	32.25"
36.5" x 48"	56" x 63.25"	32.75"	30.75"
36.5" x 54"	56" x 69.25"	32.75"	32.25"
38.5" x 54"	58" x 69.25"	34.75"	32.25"
34.5" x 60"	54" x 75.25"	30.75"	35.25"

Machine Room Required

Cab Size	Hoistway Size Width x Depth	Centerlines	
		Landing Door	Rail Wall
44" x 48" (2 panel doors)	62" x 65.75"	38.75"	32.75"
36" x 48" (3 panel doors)	54" x 68.5"	32.75"	34.25"
36" x 60" (3 panel doors)	54" x 80.5"	32.75"	40.25"
40" x 54" (3 panel doors)	58" x 74.5"	34.75"	37.25"

Please note dimensions remain for mirrored configurations.

Cambridge Elevating Inc. Residential Elevator Specifications

PART 1 – GENERAL

1.1 Summary

This specification describes the planning, labor, and materials required to install a private residence home elevator manufactured by Cambridge Elevating Inc.

1.2 System Description

A private residence 1:2 roped hydraulic elevator complete with guide rail system, hydraulic power unit, control panel, switches, wiring and any parts necessary to properly install the elevator to meet performance, safety and code standards.

1.3 Quality Assurance

The elevator shall be designed, tested and installed in compliance with all applicable regulations and in accordance with ASME A17.1/CSA B44.0 standards. Elevator may be subject to state, local and city approval prior to installation and subject to inspection after installation.

1.4 Applicable Codes and Standards

- 1.4.1 ASME A17.1/CSA B44-13, Section 5.3 *Private Residence Elevators*
- 1.4.2 ASME A17.5/CSA B44.1, *Elevator and Escalator Electrical Equipment*
- 1.4.3 ICC/ANSI A117.1-1998, *Accessible and Usable Buildings and Facilities*
- 1.4.4 NFPA 70-1999, *National Electric Code*
- 1.4.5 ADAAG, *Americans with Disabilities Act Accessibility Guidelines*

PART 2 – PREPARATORY WORK BY OTHERS

2.1 Hoistway

Provide an enclosed, plumb and square hoistway with smooth interior surfaces. Provide fascias or furring of hoistway interior where required. Provide correct door RSO and headers as described on site specific layout drawings. Construction of hoistway, including rail support wall and pit floor must withstand all loads as described on site specific layout drawings. Rail wall construction must provide adequate anchoring means for guide rail support system as described in hoistway detail drawings.

2.2 Machine Room

Provide a machine room as required by applicable codes and standards.

2.3 Electrical

2.3.1 General Contractor to provide one 220 VAC, 60 Hz, 30 Amp single phase power source in the machine room. 230 VAC disconnect provided by Cambridge Elevating.

2.3.2 General Contractor to provide one 120VAC, 60 Hz, 15 Amp power source and disconnect in the machine room. 120 VAC disconnect provided by Cambridge Elevating.

PART 3 – SUBMITALS

3.1 Approval Drawings

Approval drawings shall show a complete layout of elevator equipment, including plan and elevation views.

PART 4 – PRODUCT

4.1 Equipment Manufacturer

The elevator shall be manufactured by Cambridge Elevating Inc.

4.2 Components

The elevator will have the following components.

4.2.1 Cab

4.2.1.1 Car sizes (please visit our full drawings pages at (<http://cambridgeelevating.com/tools>))

Please refer to the Drawings pages for representative standard sizes. Custom cab sizes are available, please consult your authorized dealer or CE sales representative.

** A minimum cab width of 44" is required for 2-speed/panel doors.

4.2.1.2 Cab Configuration

Inline (enter/exit same side), 90 degree or straight-thru layouts available.

4.2.1.3 Cab Construction

Metal bracket and/or tubular frame structure with melamine, veneer, stainless steel or laminate finish panels. Ceiling white melamine or to match walls. Rough plywood floor is supplied - finish flooring by others.

4.2.1.4 Car Operating Panel

A brushed stainless steel flush panel is built into the cab wall. Floor selection pushbuttons with a dual color LED floor number and annular ring. Alarm button, emergency stop button, emergency light and integral phone box with phone and hinged cover are included.

4.2.1.5 Hand Rail

Brushed stainless steel handrail mounted to cab wall (shipped loose in unfinished cabs) in solid flat bar or cylindrical. (Standard handrail is 36" x 1½" straight ends, flat)

4.2.2 Hydraulic Power Unit and Motor

Power unit to consist of 20 U.S. gallon enclosed metal tank, 4.0hp or 5.0hp submersible induction motor and pump. Two-speed valve complete with adjustable leveling, pressure relief valve and shut off ball valve. Pressure gauge, manual lowering valve and overheat thermistor included. Tank heater option is available.

4.2.3 Controller

Certified relay controller utilizing a Machine Control Unit (MCU) to manage the flow of signal information. Battery back-up to allow lowering of car and unlocking and opening of doors during power outages.

4.2.4 Cylinder

Single stage jack with line rupture valve, 750 psi working pressure.

4.2.1.5 Hand Rail

Brushed stainless steel handrail mounted to cab wall (shipped loose in unfinished cabs) in solid flat bar or cylindrical. (Standard handrail is 36" x 1½" straight ends, flat)

4.2.5 Ropes

Two 3/8" diameter, 9 x 17 wire ropes.

4.2.6 Guide rail

Dual 8 lb. steel modular T-rail system.

4.2.7 Car Sling

The elevator cab shall be supported by the car sling. The car sling shall be made of structural and formed steel and equipped with guide rollers and Type "A" roller safeties complete with slack rope safety switch.

4.2.8 Gates and Doors

Landings: Automatic horizontally sliding two or three speed side opening beige epoxy or brushed stainless door panels complete with matching frame and sill OR Manual swing door on landing provided by General Contractor, the electromechanical door interlock can be provided by CEI (Automatic door operator available).

Cab Door/Gate: Automatic horizontally sliding two or three speed side opening beige epoxy or brushed stainless panels complete with sill OR horizontally sliding collapsible accordion style car gate (various finishes available).

4.2.9 Safety Devices

The elevator will have the following safety devices:

- 4.2.9.1 208/230 VAC lockable disconnect for power unit
- 4.2.9.2 Final limit
- 4.2.9.3 Slack rope safety switch
- 4.2.9.4 Pit stop switch
- 4.2.9.5 Car top stop switch
- 4.2.9.6 Line rupture valve
- 4.2.9.7 Low pressure switch
- 4.2.9.8 Automatic re-leveling
- 4.2.9.9 Emergency battery lowering
- 4.2.9.10 Electro-mechanical door interlocks
- 4.2.9.11 Manual lowering device
- 4.2.9.12 Handrail inside cab
- 4.2.9.13 Emergency lighting in cab
- 4.2.9.14 Phone in cab

PART 5 – EXECUTION

5.1 Examination

All site dimensions and conditions shall be verified to ensure they meet specifications, codes and regulations.

5.2 Installation

Confirm that all site dimensions and conditions match those specified on shop drawings. Do not proceed with installation if the site dimensions and conditions are not acceptable. Elevator shall be installed by trained technicians in accordance with approved plans, specifications, manufacturer's installation instructions and local codes.

5.3 Maintenance

Elevator shall be maintained in accordance with the manufacturer's instructions and all applicable codes.

5.4 Warranty

Elevator shall carry a thirty-six (36) month limited warranty on parts only.